



SV521DH
Smooth Drum

VIBRATORY SINGLE DRUM ROLLER

The SV521DH and SV521TH rollers are 11 ton class all-wheel drive type soil compactors that share the outstanding features with the SV521 series rollers. They are widely applicable for heavy compaction works; construction of highways, airports and dam, site preparation for buildings, housing development, etc.

Proven Vibratory Compaction Performance

- High amplitude (2.05 mm for SV521DH).
- High centrifugal force (26 tons) and total applied force (32.7 tons).
- High density and uniform compaction throughout the layer.

Easy Access to Components for Maintenance & Service

- Enclosed engine hood provided with service doors and opening.
- Easy access to the components and parts from the ground for safe maintenance and/or service work.

Economical Operation & Low Maintenance Cost

- Fuel Saving, Eco Compaction Mode (ECO MODE) as a standard.
- Durable and quality components for a prolonged service interval and low maintenance costs.

Operator Comfort & Safety

- Sakai's original shock absorbing system for better vibration isolation and longer parts life.
- Increased safety by an emergency pedal brake in addition to the conventional service and parking brakes.
- Complete vandalism protection devices.



SV521TH
Padfoot Drum

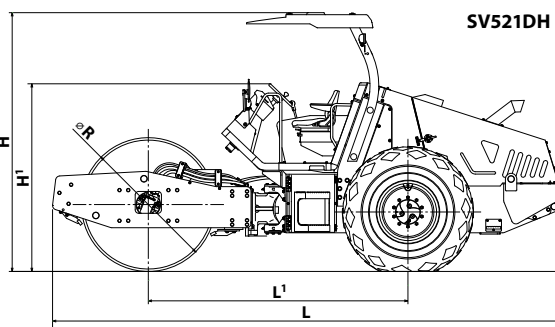
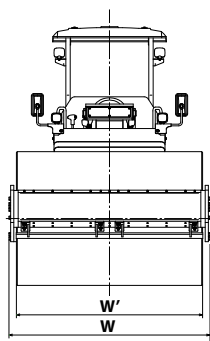


If you need any technical or service parts support on our products, please contact this web page.

www.sakainet.co.jp/en/

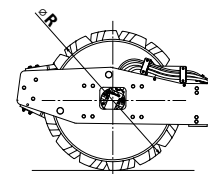
The photos may contain optional equipment and/or attachment.

SV521DH/TH



SV521DH

SV521TH



TYPE		Vibratory Single Drum Roller	
MODEL		SV521DH	SV521TH
DRUM TYPE		Smooth Drum	Padfoot Drum
WEIGHTS	Max. operating weight with AWNING	kg (lbs.)	11,220 (24,740)
	Operating weight with AWNING	kg (lbs.)	11,130 (24,540)
	Load on front axle - operating weight with AWNING	kg (lbs.)	6,320 (13,935)
	Load on rear axle - operating weight with AWNING	kg (lbs.)	4,810 (10,605)
	Static Linear Pressure(drum) - operating weight with AWNING	kg/cm (lbs./in.)	29.7 (165)
PERFORMANCE	Centrifugal force (L / H)	kN (lbs.) [kgf]	150 (33,720) [15,300] / 255 (57,325) [26,000]
	Frequency @ low amplitude/high amplitude	Hz (vpm)	33.3 (2,000) / 28.8 (1,730)
	Amplitude (L / H)	mm (in.)	0.87 (0.034) / 2.05 (0.081)
	Number of speeds: Speed range (L / H)	km/h (mph)	2 speeds: 0-6 (0-3.7) / 0-10 (0-6.2)
	Gradeability	% (°)	61% (31°)
DIMENSIONS	Turning radius at compacted surface (inner / outer)	m (in.)	3.4 (134) / 5.6 (221)
	Overall length L	mm (in.)	5,810 (229)
	Overall width W	mm (in.)	2,300 (91)
	Overall height (without AWNING) H ¹	mm (in.)	2,160 (85)
	Overall height (with AWNING) H	mm (in.)	2,960 (117)
	Wheelbase L ¹	mm (in.)	2,970 (117)
	Compaction width W ¹	mm (in.)	2,130 (84)
	Drum width W ¹ x Drum diameter R	mm (in.)	2,130 x 1,530 (84 x 60)
	Pad height	mm (in.)	-
	Number of pads	pcs.	140
	Shell thickness	mm (in.)	25 (1.0)
	Tire size x Number of tires		23.1 - 26 - 8PR (OR) x 2
	Ground clearance	mm (in.)	400 (16)
	Curb clearance	mm (in.)	500 (20)
	Side clearance	mm (in.)	85 (3)
ENGINE	Make & Model	Isuzu "4BG1T" (EPA-Tier 2: equivalent)	
	Type	Water-cooled, 4-cycle, 4-cylinder, overhead valve, direct injection type diesel engine with turbocharger	
	Displacement	L (cu. in.)	4.329 (264.2)
	Rated output	kW (HP)/min ⁻¹	83.3 (112) / 2,100
	Electric system - battery	V (V / Ah x Qty)	24 V (12 V / 80 Ah, 655 CCA x 2 pcs.)
	Electric system - alternator	V / A	24 V / 50 A
DRIVE SYSTEM	Power transmission type	Hydrostatic transmission	
	Drive wheels	Drum and tires	
VIBRATION SYSTEM	Power transmission type	Hydrostatic transmission	
	Number of amplitudes	2	
	Vibrator type	Single eccentric shaft type	
BRAKE SYSTEM	Service brake (primary brake)	Hydrostatic, dynamic brake (FNR lever)	
	Parking brake (secondary brake)	Spring applied, hydraulically released type multi-disc brake (Brake button)	
	Emergency brake	Hydrostatic + Spring applied, hydraulically released type multi-disc brake (Brake pedal)	
STEERING SYSTEM	Type	Hydraulic type (articulated)	
	Articulation / Oscillation angle	± (°)	± 37° / ± 9°
FLUID CAPACITY	Fuel tank	L (gal.)	215 (56.8)
	Hydraulic oil tank	L (gal.)	50 (13.2)

- Specified figures have a tolerance of ±5%.
- All specifications may be changed without notice.
- Specified figures are in SI Units, followed by their equivalent English Units of measurement in ().
- Max. operating weight: Fuel = 100%, Water = 100%, Operator = 75 kg
- Operating weight: Fuel = 50%, Water = 50%, Operator = 75 kg
- The photos may contain optional equipment and/or attachment.

* Using low quality fuel may cause engine failure.

Standard Equipment :

- Instruments ● Gauges ● ECO MODE ● Scrapers for both directions
- Backup alarm ● Horn ● AWNING ● Comfort seat
- Front-facing working lights (2 pcs.) ● Rear-facing working lights (2 pcs.)
- Mirrors ● 4 points lifting ● Accessory socket (24 V) ● Safety steps
- Vandalism protection

Optional Equipment :

- Enclosed CABIN ● Enclosed ROPS-Cabin w/seat belt ● ROPS-Canopy w/seat belt
- Air conditioner ● Deluxe seat ● Turn signal lamp ● Combi. lamp
- Rotary beacon ● Pad locks for vandalism protection ● Filter kit for 1000 hrs



SAKAI HEAVY INDUSTRIES, LTD.

HEAD OFFICE: 1-4-8, SHIBA DAIMON, MINATO-KU, TOKYO JAPAN
 TELEPHONE: +81-3-3431-9971
 FACSIMILE: +81-3-3436-6212