

# SAKAI®

# SW652-1 SW652-1K

Series

Asphalt Roller



SW652-1

## Vibratory Tandem Roller

### Efficient compaction with various vibratory modes

#### Sakai patented compaction technologies

- SW652-1/-1K, standard model features 4,020vpm high frequency vibration by which can efficiently achieve the density faster and create smoother hot mix asphalt (HMA) mat.
- "B model", split drum type is also equipped with high frequency vibration and is easy to operate in the tight corner without pushing or shoving the material.
- On "ND model", oscillatory or circular (normal) vibration is selected by switch at operator station depending on the job conditions. The oscillatory vibration is good for thin lift and the circular vibration is effective for thick layer compaction.

#### Operators comfort

- Full view over drum surface, drum edge and sprinkler nozzles.
- Auto shut-off of water sprinkler when the Forward & Reverse lever is in the neutral position.
- Patented dual water pump system for increased reliability.

#### High safety standards

- 1 m × 1 m visibility.
- Emergency brake pedal is standard.

#### Easy Maintenance

- Rugged articulated centre-pin joint.
- Long life Sakai patented rubber isolators for drums.
- Sprinkler system with anti-clog package, i.e., a plastic water tank, triple-protection filtration, etc., and with perfect draining winterization.
- KUBOTA V3307 engine features OHV4 valve and Turbo that maintains output even at high elevations.



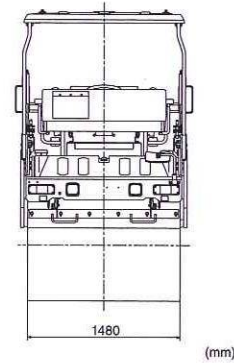
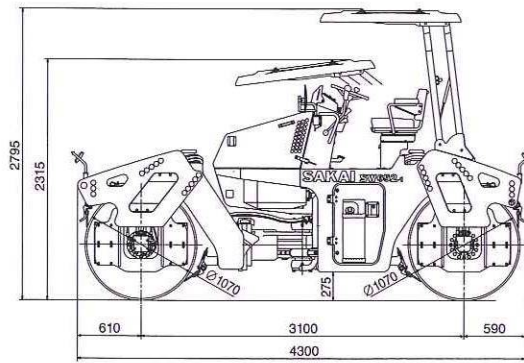
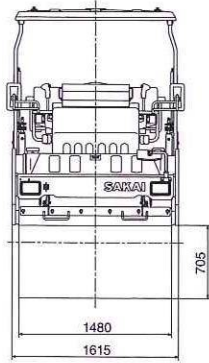
SW652B-1



SW652ND-1

See in detail at Sakai Web site  
[www.sakainet.co.jp](http://www.sakainet.co.jp)

# SW652-1 SW652-1K Series



TYPE		Vibratory Tandem Roller		
MODEL		SW652-1	SW652B-1	SW652ND-1
CHASSIS MODEL		SW652-1K	SW652B-1K	SW652ND-1K
<b>WEIGHTS</b>		1SW47 [SW652-1 Series]		
		1SW52 [SW652-1K Series]		
Operating weight (with AWNING)	kg (lb)	7,100 (15,650)	8,000 (17,640)	7,400 (16,310)
Empty weight (with AWNING)	kg (lb)	6,500 (14,330)	7,400 (16,310)	6,800 (14,990)
Load on front axle (operating weight with AWNING)	kg (lb)	3,450 (7,605)	3,900 (8,600)	3,600 (7,935)
Load on rear axle (operating weight with AWNING)	kg (lb)	3,650 (8,045)	4,100 (9,040)	3,800 (8,375)
<b>PERFORMANCE</b>	Centrifugal force (L / H)	kN (lb)	62 / 69 (13,940 / 15,510)	61 / 67 (13,715 / 15,060)
	Frequency (L / H)	Hz (rpm)	67 / 50 (4,020 / 3,000)	
	Amplitude (L / H)	mm (in)	0.30 / 0.55 (0.01 / 0.02)	
	Dynamic linear pressure for front roll (operating weight with AWNING)	N/cm (lb/in)	647 / 695 (373 / 400)	670 / 711 (386 / 409)
	Dynamic linear pressure for rear roll (operating weight with AWNING)	N/cm (lb/in)	661 / 708 (380 / 408)	684 / 724 (394 / 417)
	No. of speeds		6	
	Speed range (Forward & Reverse) (L / H)	km/h (mph)	0 - 2, 0 - 4, 0 - 6 / 0 - 4, 0 - 8, 0 - 13 (0 - 1.2, 0 - 2.5, 0 - 3.7 / 0 - 2.5, 0 - 5, 0 - 8.1)	
	Gradability	% (°)	34 (19)	29 (16)
	Min. turn radius (outer)	m (in)	5.1 (201)	
<b>DIMENSIONS</b>	Overall length	mm (in)	4,300 (169)	
	Overall width	mm (in)	1,615 (64)	
	Overall height (with AWNING)	mm (in)	2,795 (110)	
	Wheelbase	mm (in)	3,100 (122)	
	Compaction width	mm (in)	1,480 (58)	
	Drum diameter / Drum width	mm (in)	1,070 / 1,480 (42 / 58)	
	Ground clearance	mm (in)	275 (11.0)	
	Curb clearance	mm (in)	705 (27.8)	
	Side clearance	mm (in)	67.5 (2.7)	
<b>ENGINE</b>	Make		KUBOTA	
	Model		V3307 - DI - T - KDN (Interim Tier4) [SW652-1 Series]	
			V3307 - DI - T - E2B - RRS11 [SW652-1K Series]	
	Type		Diesel, Water - cooled, 4 cycle, 4 cylinder, direct injection type with turbo charger	
	Displacement	L (cu.in)	3.331 (203)	
	Rated output	kW (HP)/min <sup>-1</sup>	55.4 (74) / 2,200	
	Electric system battery	V (V/Ah × Qty)	12 (12 / 72 × 1)	
	Electric system alternator	V/A	12 / 80	
<b>POWER LINE</b>	Transmission		Hydrostatic transmission	
	Type		Hydraulic	
	Drive wheel		All wheel	
<b>VIBRATION SYSTEM</b>	Drive		Hydrostatic	
	Amplitude control		2	(Vib. / Osc.) 1 / 1
	Vibrator		Eccentric shaft type	
<b>BRAKE SYSTEM</b>	Service (emergency)		Hydrostatic + SAHR / Brake pedal	
	Parking		spring - applied, hydraulically released type (SAHR) / Panel button	
	Working (nominal)		Hydrostatic dynamic brake through drive system / F&R Lever	
<b>STEERING SYSTEM</b>	Type		Hydraulic type (Articulated type)	
	Articulation / Oscillation (+/-)	°	39 / 9.0	
<b>FLUID CAPACITY</b>	Fuel tank	L (gal)	120 (32)	
	Hydraulic tank	L (gal)	51 (13.5)	
	Sprinkler tank	L (gal)	300 (79) × 2	

- Operating Weight : 100% Fuel, 100% Water, no Operator.
- Specifications are subject change without notice.
- Above specified numbers could be deviated within ±5%.
- All units are SI units. Inside of ( ) is for reference units.
- Vib. / Osc. : Vibration / Oscillation

- ※ Engine meets EPA standards for SW652-1 series.
- ※ Using low quality fuel may cause engine failure.


**ISO 9001 Certification**  

**SAKAI HEAVY INDUSTRIES, LTD.**  
 HEAD OFFICE: 1-4-8, SHIBA DAIMON, MINATO-KU, TOKYO JAPAN  
 TELEPHONE: +81-3-3431-9971  
 FACSIMILE: +81-3-3436-6212

### Standard Equipment :

- Instrument ● Gauges ● Scrapers for both directions ● Back up alarm ● Horn ● AWNING
- Sliding seat ● Head light ● Working light ● Turn signal lamp ● Mirrors
- Independent vibration control ● Pressurized water sprinkler system
- Intermittent water spray timer ● 4 points lifting

### Optional Equipment :

- ROPS CANOPY ● Side sliding seat ● Rotary lamp ● CCV