



NEW PF120

NEW PF150

PF280

PF301

Reversible Plate Compactor

Smooth and steady running with dynamic compacting force delivers big productivity at any job sites

High efficiency

- Newly designed body frame promises smooth and steady compaction for big productivity.
- Hydrostatic operation lever assures easy and quick forward-reverse movements.

Safety provisions

- New protection frame protects machine from any damages at job site or transportation.
- Special rubber isolators assures easy control and comfortable operation.

Easy maintenance

- Fully sealed belt-cover protects belt from harmful gravels and assures long service life.



Our communication mark "G" represents SAKAI's compact machines, which offer Growth and concern for the Green environment, on a Global Ground.



● Hydrostatic operation lever



● Protection frame

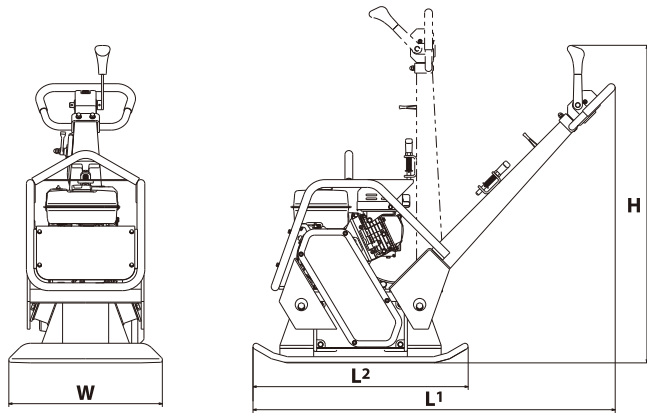


● Fully sealed belt-cover

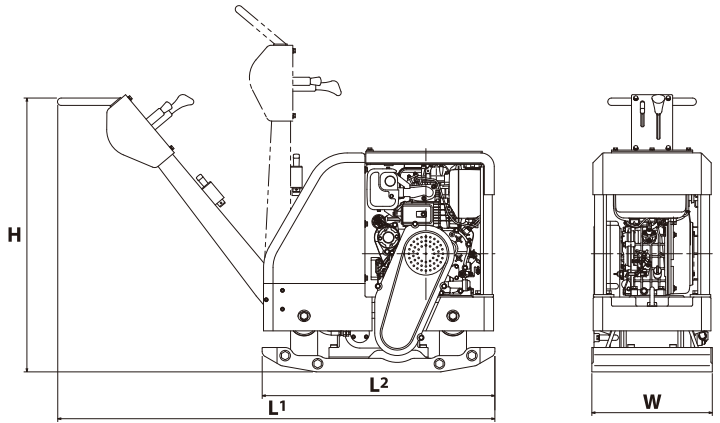
See in detail at Sakai Web site

www.sakainet.co.jp

PF120 • PF150



PF280 • PF301



Specifications

| Model | | | PF120 | PF150 |
|---------------------------|--|--------------------------|---------------------|------------------|
| Weights | | kg(lb) | 123 (271) | 136 (300) |
| Dimensions | Overall Length L¹ | mm(in) | 1080 (42.5) | 1130 (44.5) |
| | Overall Width W | mm(in) | 400 (15.7) | 500 (20) |
| | Overall Height H | mm(in) | 995 (39.2) | 995 (39.2) |
| | Vibrating Plate W×L² | mm(in) | 400×600 (16×24) | 500×700 (20×28) |
| Performance | Frequency | Hz(vpm) | 93 (5580) | |
| | Centrifugal Force | kN(kgf)/lb | 26 (2651) 5845 | 31 (3160) 6965 |
| | Max. Speed | m/min(ft/min) | 20 (66) | |
| Engine | Model | | HONDA GX160U | HONDA GX200U |
| | Type | | Air cooled, 4-cycle | |
| | Max. Output | kW(PS)/min ⁻¹ | 4.1 (5.5) / 3600 | 4.8 (6.5) / 3600 |
| | Fuel Tank Capacity | L(gal) | 3.6 (1.0) | |
| | Starting System | | Recoil Starter | |
| Operating System | | | Hydrostatic | |
| Extension Plates (Option) | | | — | — |

| Model | | | PF280 | PF301 (Diesel) |
|---------------------------|--|--------------------------|---------------------|------------------|
| Weights | | kg(lb) | 332 (732) | 361 (796) |
| Dimensions | Overall Length L¹ | mm(in) | 1640 (64.4) | 1615 (64) |
| | Overall Width W | mm(in) | 445 (17.5) | 445 (17.5) |
| | Overall Height H | mm(in) | 1145 (45.1) | 1010 (40) |
| | Vibrating Plate W×L² | mm(in) | 445×860 (18×34) | 445×860 (18×34) |
| Performance | Frequency | Hz(vpm) | 70(4200) | |
| | Centrifugal Force | kN(kgf)/lb | 38 (3875) 8543 | 46 (4700) 10360 |
| | Max. Speed | m/min(ft/min) | 23 (75.5) | 27 (88.5) |
| Engine | Model | | HONDA GX270K1 | YANMAR L70 |
| | Type | | Air cooled, 4-cycle | |
| | Max. Output | kW(PS)/min ⁻¹ | 6.6 (9.0) / 3600 | |
| | Fuel Tank Capacity | L(gal) | 6 (1.6) | 5.4 (1.4) |
| | Starting System | | Recoil Starter | Electric Starter |
| Operating System | | | Hydrostatic | |
| Extension Plates (Option) | | ○ | | ○ |

* Specifications are subject to change without notice.

* Max. Output shows Maximum output in catalogue of engine manufacturer. It does not always mean max. under operation of the machine.



ISO 9001 Certification



SAKAI HEAVY INDUSTRIES, LTD.

HEAD OFFICE: 1-4-8, SHIBA DAIMON, MINATO-KU, TOKYO JAPAN

TELEPHONE: +81-03-3431-9971

FACSIMILE: +81-03-3436-6212